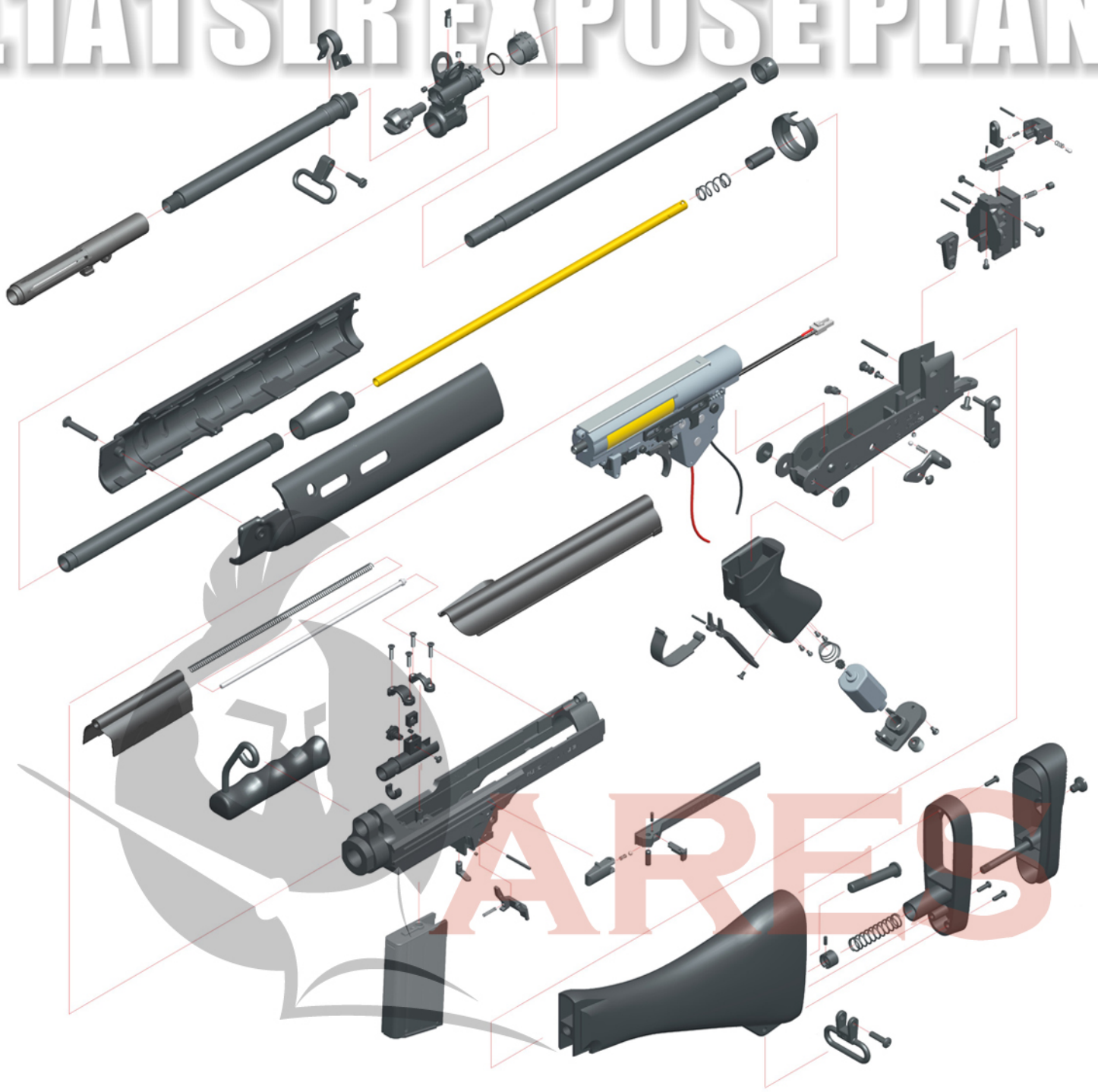
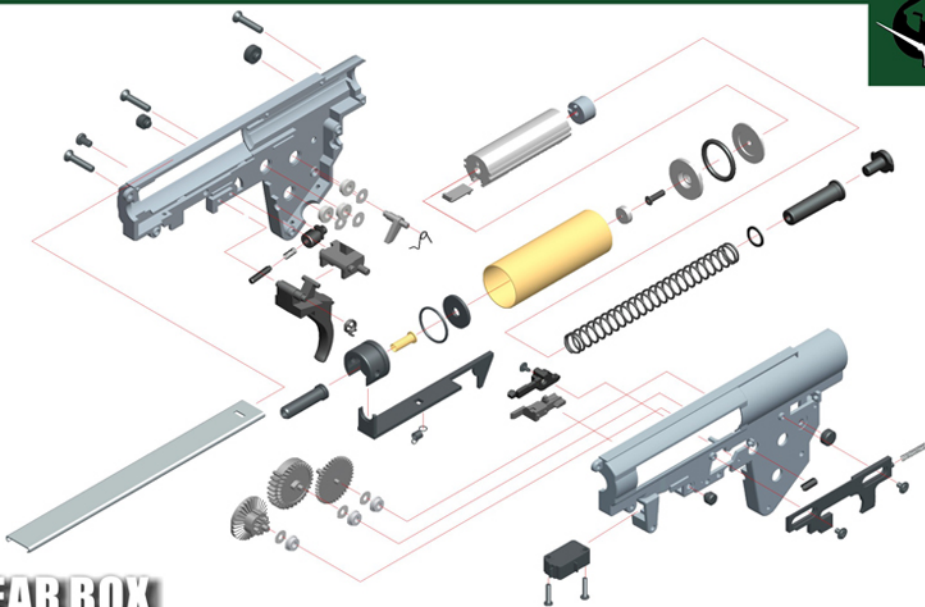


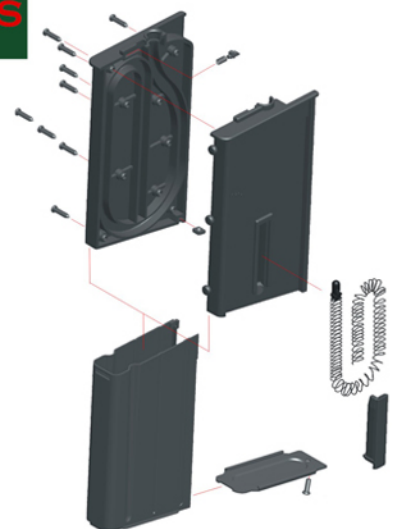
L1A1 SLR EXPOSE PLAN



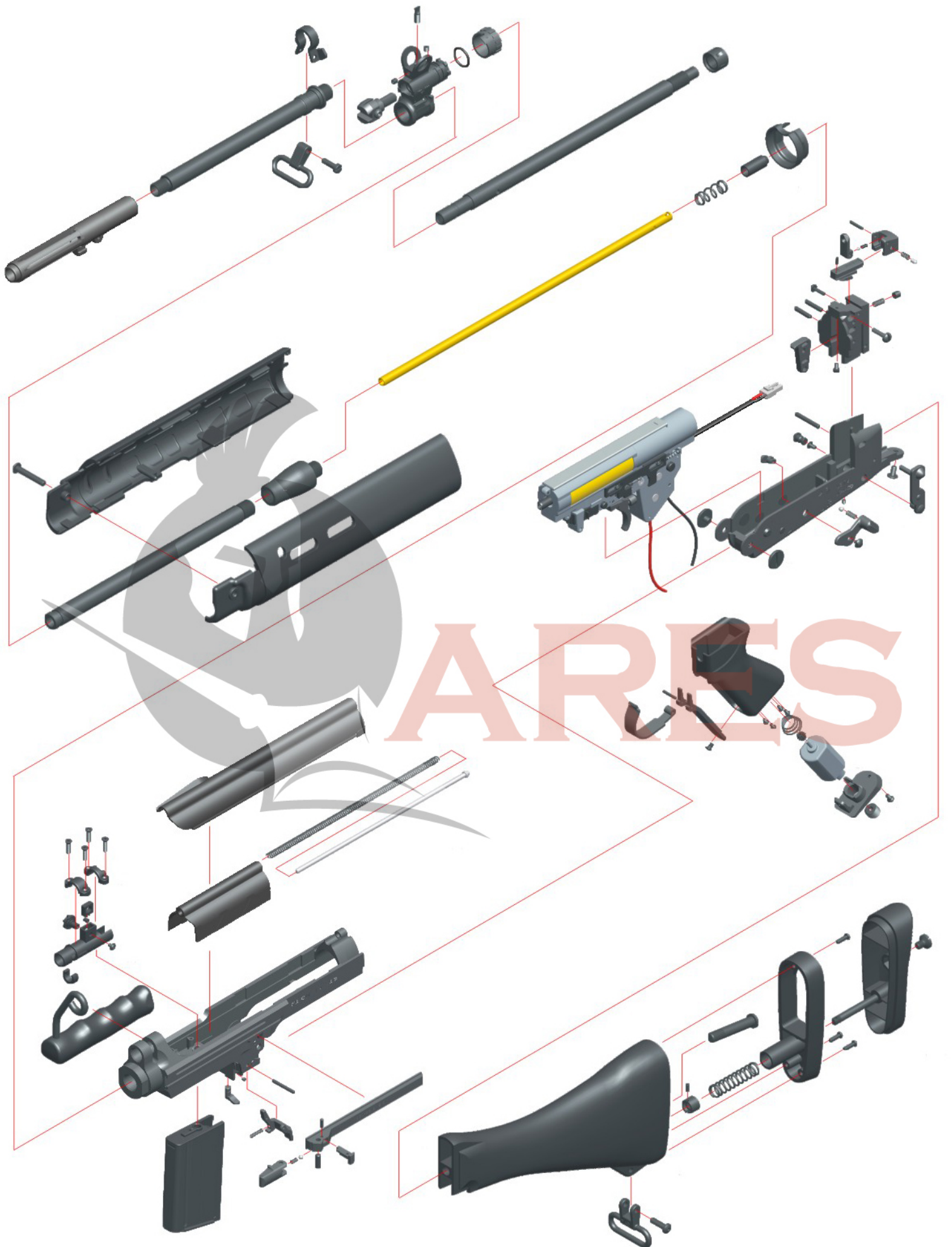
GEAR BOX



MAGAZINE

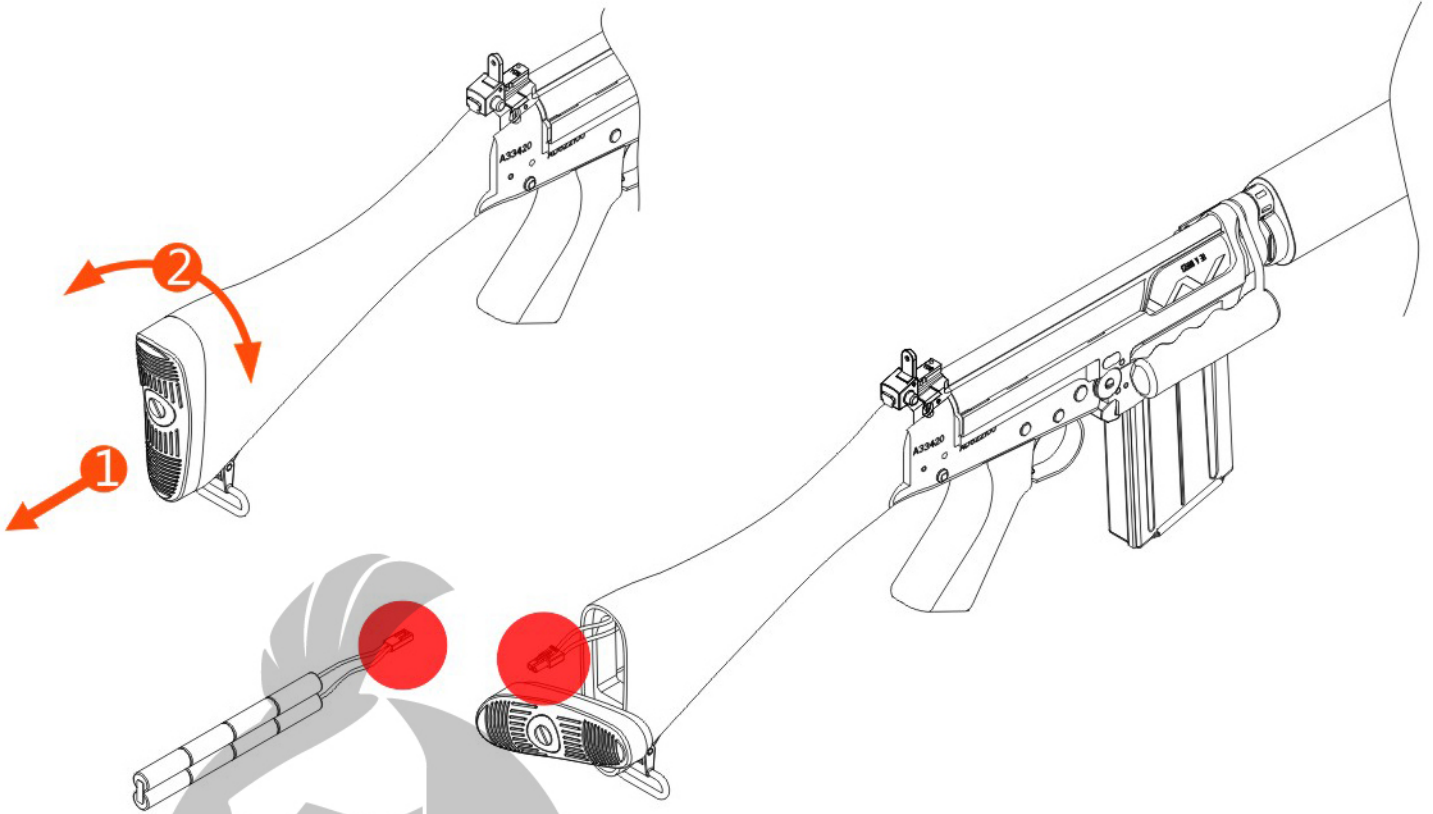


COLT FAL CARBINE EXPOSE PLAN

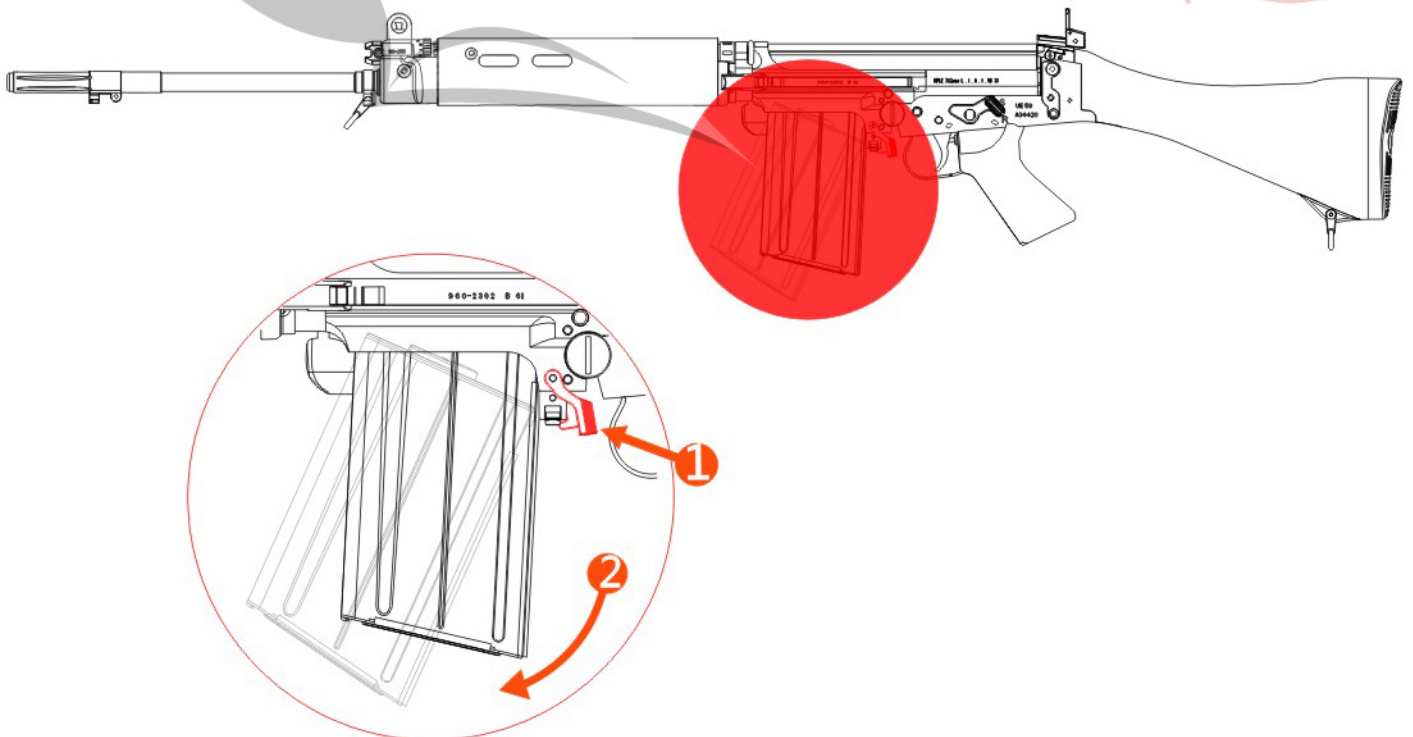


BATTERY INSTALLATION

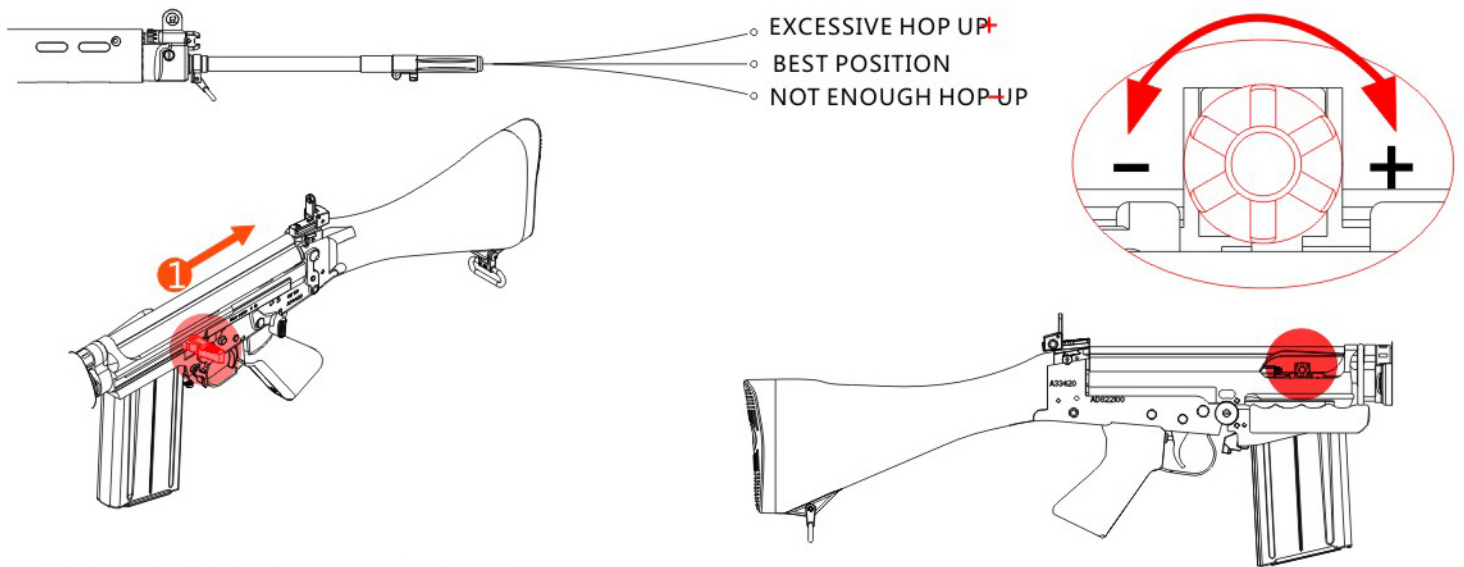
USE THE SPECIFIED BATTERY FOR YOUR GUN 9.6V 3300MAH



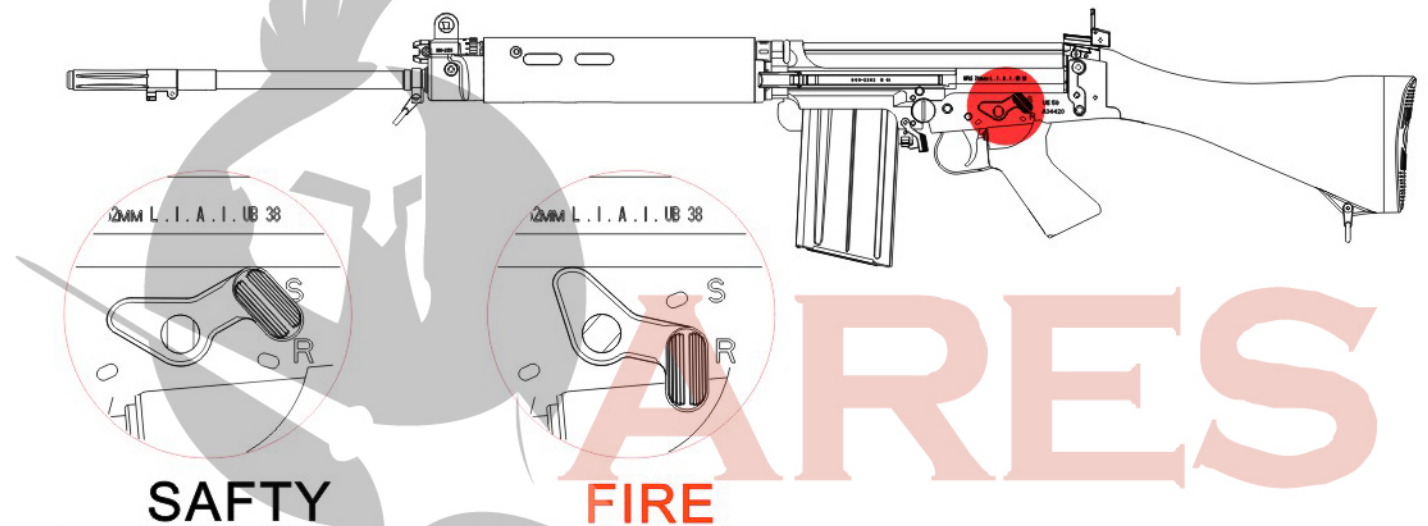
SETTING THE MAGAZINE



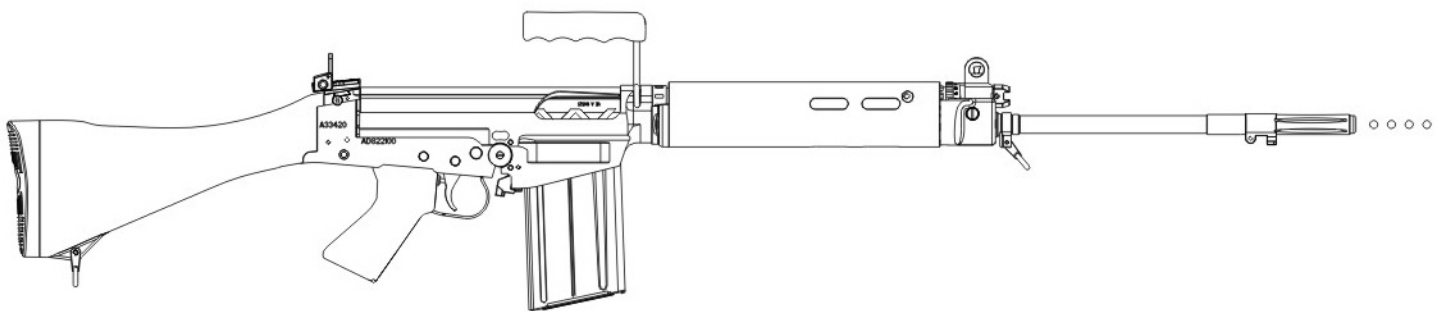
HOP-UP ADJUSTMENT



SAFETY MODE



WARNING



- . Do not aim or shoot a person or animal as the target.
- . Avoid pulling the trigger carelessly.
- . Always put the gun in a case or bag when you carrying it.
- . Always set the switch lever to the safety position.
- . Do not look into the gun muzzle.
- . Always wear eye protective gear.
- . Store the airsoft gun at the places out of reach by children.
- . Do not disassemble or modify the airsoft gun.